

# VACALL™

## AllJetVat

### P Series

AllJetVat  
P Series



## SPECIFICATIONS

### BLOWER

**Blower** - Roots 824@16"; 18" Rotary lobe direct drive.  
**Drive** - Direct - OMSI air-shift transfer case.  
**Speed** - 2470 rpm.  
**Blower Vacuum** - 16" hg standard: (217" h20).  
**Blower Airflow** - 5200 CFM Free Air.

### DEBRIS TANK

**Volumetric Capacity** - 6, 8, 10, 12 cu yd  
**Dump Angle** - 42°.  
**Sides** - ASTM A572 Grd 50 Carbon Steel - 1/4", (.250) x 3/8", (.375).  
**Construction** - Oval shape, cylindrical sides, wrap-around gussets.  
**Lifting** - Hydraulic three-stage telescopic cylinder.  
**Tailgate** - Heavy-duty Rear, full 90°, hydraulically-opening, with dual positive-locking reverse angle wedges.  
**Debris Body Safety Prop** - Manually-operated single prop located on hoist frame near rear axles.  
**Tailgate Safety Prop** - Located outside, beside tailgate driver side.

### CONTROLS

**All Smart Flow Control** - Enclosed cabinet control box containing 12 volt CAN bus boom control joystick recessed for protection. LCD color display to increase/decrease engine RPM, water pressure, vacuum. Emergency stop button, water pump and blower hour meter.  
**Wired pendant** - Wired pendant with 12 proportional push buttons; 3-position rotary switch, latching emergency stop.

### HYDRAULIC SYSTEM

**Hydraulic Pump** - Pressure-compensated piston pump.  
**Capacity** - 40 Gallon.  
**Return Filter** - 10 Micron.

### BOOM

**Diameter** - 8".  
**Front Boom Reach** - 25'.  
**Rotation** - 180°.  
**Work Area** - 552 Sq. Ft.  
**Telescoping** - 8', 6".  
**Capacity** - 1,000 Lbs.

### WATER SYSTEM

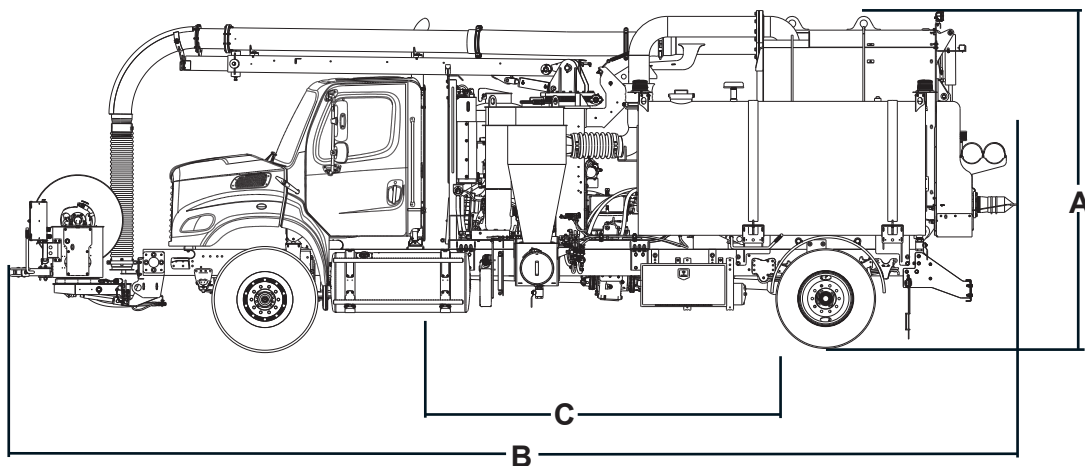
**Water Tank Construction** - High-quality, fully-welded aluminum.  
**Water Tank Capacity** - 1,000 or 1,500 Gallons.  
**Pump Type** - Hydraulically-powered triplex plunger.  
**System Flow** - Variable-flow 85gpm @ 2,000 rpm.  
**Hose Reel** - 1" Diameter hose, 800' capacity, direct-drive reel, 230° rotation.  
**Catch Basin Cleaning** - Side-mounted handgun.  
**Filter** - Inlet suction strainer.

### OPTIONS

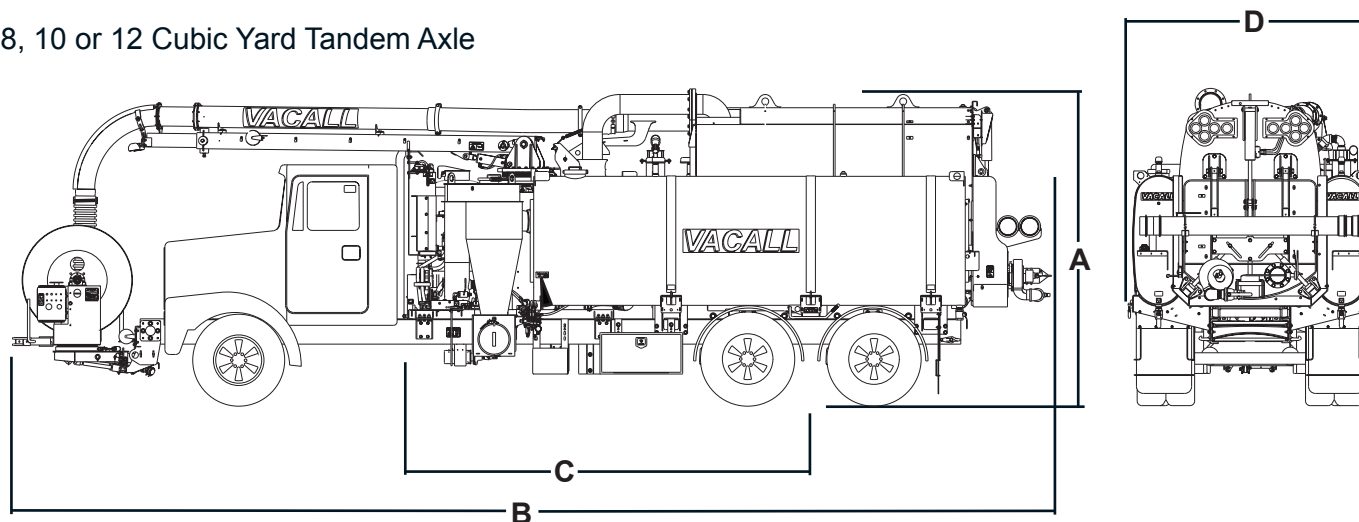
**Sludge Pump** - 710 gpm @ 10' head pressure.  
**Lighting** - Strobe, work, directional, corner strobes.  
**Toolboxes/Tube Racks** - Optional Aluminum or Carbon Steel.  
**Lateral Cleaning Reel** - 2-1/2" Y Strainer on fill.  
**Internal Tank Flush** - Optional.  
**Emergency Hydraulics** - Optional Electric 12VDC.  
**Galvanized Debris Tank** - Optional.  
**Cold Weather Recirculation** - Optional Electric 12VDC.  
**Remote Grease Manifolds** - Optional.  
**Air Purge** - Optional.  
**Empty Water/Full Debris Electronic De-rate**  
**Wireless Remote**  
**High Dump**

**VACALL**

### 6 Cubic yard Single Axle



### 8, 10 or 12 Cubic Yard Tandem Axle



DIMENSIONS	MACHINE MODEL NUMBERS			
	AJV610	AJV810	AJV1015	AJV1215
A. Overall Height	12'0"	12'0"	12'0"	12'0"
B. Overall Length	35'6"	35'6"	37'9"	38'9"
C. Clear CA Required	167"	167"	184.5"	198.5"
D. Overall Width	8'8"	8'8"	8'8"	8'8"

Certified ISO 9001

Form No. 11511 - Printed in U.S.A. - 3-15

Vacall machines are designed and manufactured by Gradall Industries, Inc, a world leader in the production of versatile, reliable maintenance machines. It is our policy to continually improve our products. Therefore, designs, materials and specification are subject to change without notice and without incurring liability on units already sold. NOTE: some options shown in pictures.



Gradall Industries, Inc. 406 Mill Ave SW New Philadelphia, OH 44663  
 Phone: (330) 339-2211 Toll Free: (800) 382-6301 Fax: (330) 339-8468  
 www.vacall.com

