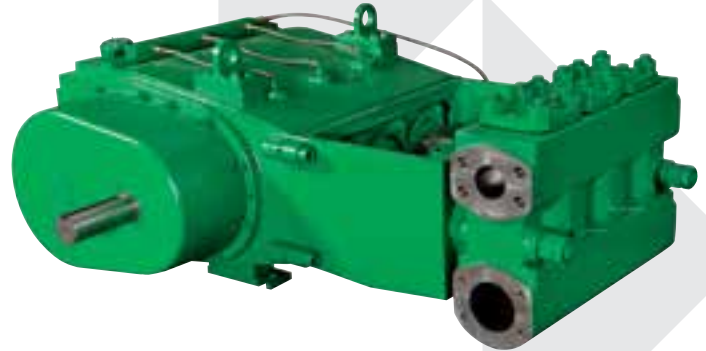


# MYERS® HPL120-30 120 GPM HIGH PRESSURE RECIPROCATING PUMP

## CUTTING EDGE TECHNOLOGY

The HPL Series brings you the latest in sewer jet pump technology. The HPL keeps your truck running with industry-leading serviceability, a breakthrough in jetting. New cartridge valves, an open cradle for packing and plunger maintenance, and an external lube filter minimize maintenance time, keeping your equipment on the job making you money.



## HIGH PERFORMANCE.

- True 120 GPM at 3,000 psi, not nominal. When you need the flow and pressure, it's there.

## TRUE CONTINUOUS DUTY.

- The HPL120-30 is a true continuous duty pump.

## WHISPER QUIET OPERATION.

- Heavy castings, urethane valve inserts, internal gear reduction all translate to industry-leading noise reduction.

### Product Specifications

Temp. Rating °F (°C)	Sizes in inches (mm)				Keyway	Approx. Weight lbs. (kg)
	Stroke Length	Suction Size NPT	Discharge Size NPT	Input Shaft Diameter		
140 (60)	4.00 (101.6)	4.00 (101.6)	2.5 (63.5)	2.5 (63.5)	.875 x .875 x 2.5 (22.2 x 22.2 x 63.5)	2880 (1302)

### Product Capabilities

Catalog Number	Max. Rated Capacity GPM (LPM)	Max. Rated Pressure psi (bar)	Max. Rated Speed RPM	Plunger Diameter inches (mm)	Max. Power Input HP (kW)	Fluid End Material
HPL120-30	125 (475)	3000 (206.7)	1770	2.75 (69.85)	274 (204.4)	Ductile Iron

### Performance Data

Flow Capacity GPM (LPM)	Speed RPM	Horsepower (Kilowatts) required for: psi (bar)				
		1000 (69.0)	1500 (103.4)	2000 (137.9)	2500 (172.4)	3000 (206.9)
125 (475)	1770	91 (68)	136.5 (102)	182 (136)	227.5 (169.7)	274 (204)
120 (454)	1691	87.6 (65.4)	131.4 (98.1)	175.2 (130.7)	219 (163.4)	263 (196)
100 (379)	1394	72.3 (53.9)	108.5 (80.8)	144.6 (107.8)	180.7 (134.8)	219 (163.4)
80 (303)	1115	57.8 (43.1)	86.7 (64.6)	115.6 (86.2)	144.5 (107.8)	175 (130.6)
60 (227)	837	43.4 (32.3)	65.1 (48.5)	86.8 (64.6)	108.5 (80.9)	131.5 (98.1)

Power based on 85% mechanical efficiency and 94% to 95% volumetric efficiency. Displacement based on 100% volumetric efficiency. Internal gear reduction is 4.087 to 1.0.

Above performance data based on following equations:

$$\text{Liquid HP} = \frac{\text{GPM} \times \text{psi}}{1714}$$

$$\text{Overall Eff.} = \frac{\text{Output Liq. HP}}{\text{Input Mech. HP}}$$

$$\text{Vol. Eff.} = \frac{\text{Actual GPM}}{\text{Theor. GPM}}$$

$$\text{Mech. Eff.} = \frac{\text{Overall Pump Eff.}}{\text{Vol. Eff.}}$$

## ADVANTAGES BY DESIGN

### PLUNGER PACKING

V-Ring, 120X spring loaded.

### STUFFING BOXES

Independently removable stuffing boxes minimize repacking time.

### OPEN CRADLE

Allows for quick service of fluid end expendable parts.

### PRESSURE LUBRICATION AND FILTRATION

Allows slow speed operation and long power end life.

### PLUNGER

Rokide® MBC plunger for long life.

### CRANKSHAFT

Ductile iron with ground and polished journals.

### FLUID END BODY

High strength ductile iron.

### VALVES

Abrasion resistant cartridge style valves for ease of service and long quiet life.

### HEAT EXCHANGER

Increases power end life.

### VALVE LIFTERS

Standard equipment.

### GEAR REDUCTION

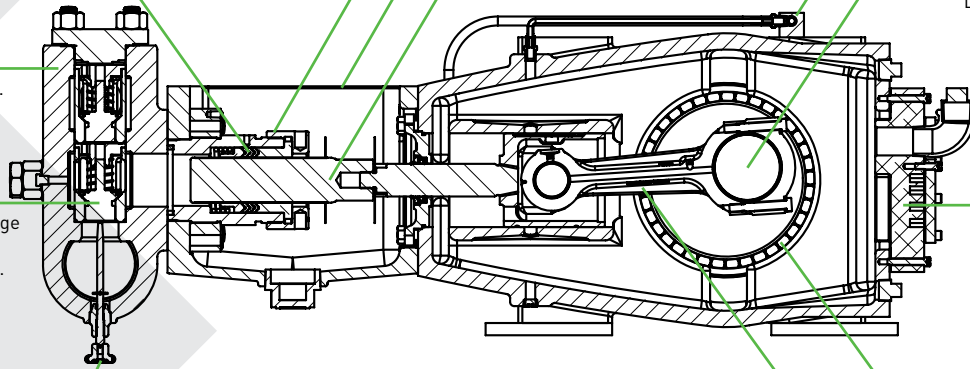
"Low Profile" external gear reduction allows for many different drive types. Gear ratio designed for diesel engine speeds.

### CONNECTING LINK

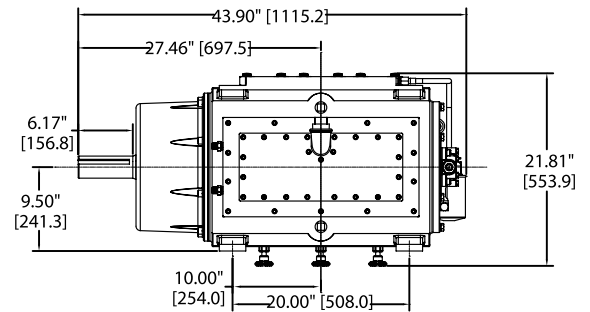
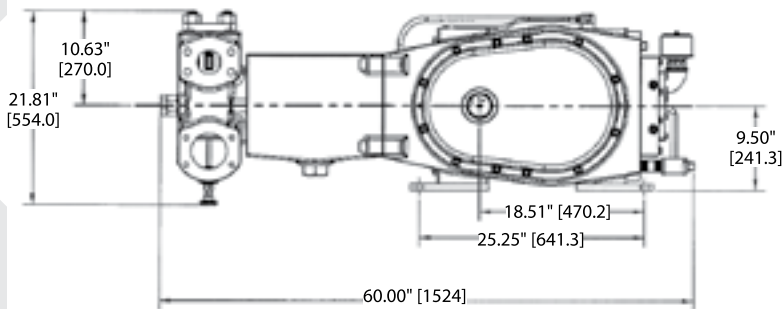
High strength ductile iron.

### ROLLER BEARING

High load capacity and no shiming.



## DIMENSIONS



740 EAST 9TH STREET,  
ASHLAND, OHIO 44805  
WWW.FEMYERS.COM

490 PINEBUSH ROAD, UNIT 4,  
CAMBRIDGE, ONTARIO N1T 0A5  
WWW.FEMYERS.COM

Rokide® is a registered trademark of Saint-Gobain Abrasives, Inc.  
Myers® is a registered trademark of Pentair.

Because we are continuously improving our products and services, Pentair reserves the right to change specifications without prior notice.  
K4614 01/13/14 © 2014 Pentair. All Rights Reserved.